

NEW

LINEO ES RANGE

"Energy Saving" mixed flow extractor fans

Suitable for domestic, commercial and industrial applications: kitchens, bathrooms, offices, laboratories, factories, shops, laundromats, models, restaurants, bars, theatres, ballrooms, etc.



- **8 models:** from 100 to 315 diameter.
- Enclosure and impellers made of self-extinguishing V0 mineral charged polypropylene.
- EC brushless motors.
- Ball bearing motors for at least 30.000 hours operation without mechanical malfunction.
- 2 speeds.
- Controllable through Vortice environmental sensors and DUO two-speed controller.
- Protection rating: IP44 (inline installation).
- Insulation class: I (for model LINEO ES 315).
- Insulation class: II.



LONG LIFE 30.000 h

TECHNICAL DATA

Models	Code	W		A		RPM		Max Airflow				Max Pressure				Lp dB(A)*		Max °C
		min	max	min	max	min	max	m³/h		l/s		mmH₂O		Pa		min	max	
LINEO 100 Q ES	17036	4.5	7	0.05	0.08	1420	2120	90	145	25	40	3.6	8	35	78	21.0	33.3	60
		7	12	0.07	0.12	2125	2850	155	210	43	58	9	15	88	147	28.9	40.0	
		10	16.5	0.10	0.16	2560	3300	170	230	47	64	11	18	108	177	33.5	44.5	
LINEO 100 ES	17031	5.5	8	0.06	0.09	1320	1650	140	185	39	51	7	12	69	118	25.3	31.4	60
		8	12	0.09	0.12	1620	2000	180	255	50	71	12	23	118	225	31.4	36.4	
		11	17	0.11	0.17	1920	2330	220	270	61	75	17	26	167	255	35.7	40.8	
LINEO 125 ES	17032	6.5	10.5	0.07	0.11	1285	1660	190	270	53	75	9	16	88	157	28.9	35.1	60
		10	17	0.10	0.17	1600	2040	250	365	69	101	15	29	147	284	34.8	40.3	
		13.5	24	0.13	0.22	1870	2370	300	380	83	105	20	33	196	324	39.3	44.4	
LINEO 150 ES	17033	10	22	0.10	0.20	1340	1875	325	440	90	122	15	28	147	275	35.0	44.1	60
		15	35	0.15	0.31	1630	2230	385	550	107	153	22	43	216	422	41.6	47.1	
		22	52	0.20	0.44	1870	2560	465	620	129	172	31	53	304	520	46.0	53.2	
LINEO 160 ES	17034	10	23	0.10	0.21	1300	1900	325	450	90	125	15	28	147	275	33.8	44.6	60
		15	38	0.15	0.33	1560	2290	385	570	107	158	22	43	216	422	39.2	47.7	
		22	55	0.20	0.45	1830	2620	465	630	129	175	31	53	304	520	45.7	54.1	
LINEO 200 ES	17037	22	34	0.21	0.32	1990	2330	620	760	172	211	13	19	127	186	39.4	44.3	50
		36	57	0.33	0.50	2400	2820	750	1000	208	278	19	27	186	265	44.8	46.2	
		53	74	0.47	0.63	2750	3120	870	1080	242	300	25	37	245	363	45.3	47.5	
LINEO 250 ES	17038	27	59	0.26	0.54	1720	2280	650	850	180	236	19	34	186	333	43.0	50.9	50
		45	95	0.42	0.83	2100	2750	800	1150	222	319	29	51	284	500	47.4	55.0	
		65	124	0.59	1.06	2400	3010	920	1250	255	347	37	65	363	637	50.4	57.3	
LINEO 315 ES	17039	119	240	0.83	1.60	1800	2350	1400	1900	530	389	40	70	392	686	53.2	60.7	40

* Sound pressure level measured at 3 m in free field conditions with long-cased appliance in delivery mode, in accordance with standard EN ISO 3741:2009.

Electric supply: 230 V ~ 50 Hz.

The values in the table refer to three conditions: minimum setting, nominal and maximum setting.



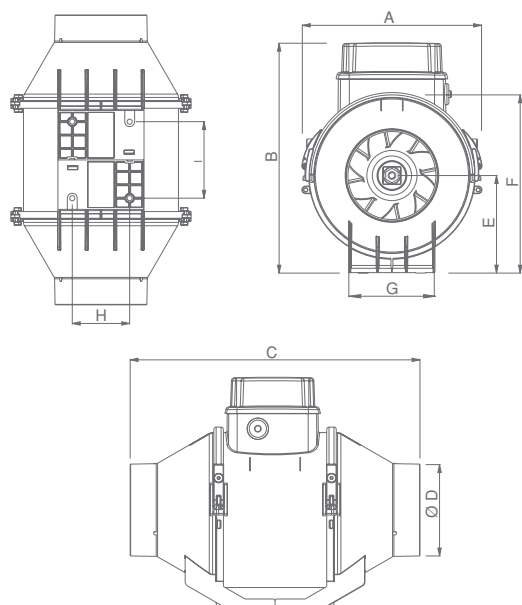
ErP data

Directive 2009/125/EC ErP (Energy related Products)

Models	Code	Measurement cat.	Efficiency cat.	Year of construction	Variable drive	η	N.	(kW) Pe	BEP*			Spec. ratio <1.04
									m ³ /h q	Pa p	RPM	
LINEO 315 ES	17039	C	STATIC	01-01-2013	NO	33.50	50.1	0.261	1061.2	296.95	2350	YES

* Best efficiency point.

DIMENSIONS



Models	A	B	C	Ø D	E	F	G	H	I	Kg
LINEO 100 Q ES	156	205	231	96	82	152	95	51.5	47.5	1.5
LINEO 100 ES	188.5	240	303	96	101.5	189	90	60	80	1.9
LINEO 125 ES	188.5	240	258	122	101.5	189	90	60	80	1.8
LINEO 150 ES	214.5	265	294	146	112.5	212	110	60	80	2.2
LINEO 160 ES	214.5	265	272.5	156	112.5	212	110	60	80	2.1
LINEO 200 ES	234.5	290	300	196	125.5	235	140	94	100	2.5
LINEO 250 ES	300	350	385	247	152.5	292	176.5	140	145	5.3
LINEO 315 ES	361.5	460	448	312	188.5	359	220.5	178	182	9.5

Dimensions (mm)