

Ross ventilation pole

Base floor ventilation and air inlets



› VILPE.COM

VILPE[®]-
warranty:
10 year aesthetic
warranty
20 year technical
warranty

Elegant choice for base floor ventilation

The Ross ventilation pole is an elegant choice for the ventilation of the underfloor space and for the prevention of moisture damage and radon problems in the base floor. The Ross ventilation pole can also be used as an air inlet for a basement sauna, fireplace or forced ventilation system. The Ross ventilation pole can also be used with a mechanical exhaust ventilation system or mechanical radon mitigation system for the underfloor space.

The Ross ventilation pole can be used for the ventilation systems of all building types. The new larger Ross 200 is particularly suited for the ventilation of larger buildings such as apartment blocks. It can also be used for the ventilation of lift shafts. The pole is designed to let air flow through it with practically no obstruction, preventing the creation of an air lock. The structure also prevents snow, trash and small animals from accessing the space in the base floor.

Selection criteria

The Ross ventilation pole comes in three sizes: Ross 125, Ross 160 and Ross 200. Select the appropriate size according to the air flow through the duct. Ross 125 can be connected to a 125 mm ventilation duct, Ross 160 to a 160 mm duct and Ross 200 to a 200 mm duct.

The Ross renovation set is a quick and easy way to create a new look and improved ventilation for an old vertical pipe of an underfloor ventilation system. The renovation set's Ross adapter 125/110 fits between a Ross 125 and a 110 mm pipe, and Ross adapter 160/160 fits between a Ross 160 and a 160 mm pipe.

You can also order vertical pipes, cowls, angle pipes, adapters and Ross wall sleeves separately.

There are six basic colours, letting you choose the ventilation pole colour that suits your taste and the building architecture. The colour can be chosen to match the base or the walls of the building.

Ross wall sleeve for easier installation

The Ross ventilation pole comes complete with the Ross wall sleeve. The Ross wall sleeve is installed to the wall panel or cast base already in the casting phase, and can also be used with a block base. Its structure helps create a firm bond with the concrete. The Ross wall sleeve is then be used to lead the Ross pole or another pipe easily through the wall at a later stage of the building project.

Installation instructions

The ventilation pole is easy to install. The Ross ventilation pole set includes a cowl, a vertical pipe, wall fastenings with screws, an angle pipe, the Ross wall sleeve, centring rings and detailed installation instructions. In the Ross renovation set, the angle pipe is replaced by an adapter. The adapter is used to connect the Ross ventilation pole to the vertical part of the old underfloor ventilation pipe above or below the ground. For best appearance, install the adapter below the ground.

The pipe length can be easily adjusted. For a longer pipe, install several vertical pipes on top of each other. When a shorter pipe is needed, you can install the cowl directly onto the angle pipe or cut the vertical pipe to the desired length.

When installing to a cast base, the Ross wall sleeve must be supported on both ends in a way that it does not move during the casting process. In casts over 20 cm in height, the vibrator must not be brought near the sleeve, and the sleeve must be supported from the inside during casting.

1. Install the Ross wall sleeve
 - a) to the wall panel or cast base already in the casting phase (can also be used with a block base)
 - b) by making a hole to the base as follows:
 - Ross wall sleeve 125: Ø 170 mm
 - Ross wall sleeve 160: Ø 208 mm
 - Ross wall sleeve 200: Ø 248 mm
2. Cut the pole to length when necessary.
3. Assemble the pole.
4. Install the fastenings included in the delivery to the wall.
 - Check vertical alignment using a level.
5. Tighten the centring rings around the part of the pole that goes through the wall.
6. Install the part of the pole that goes through the wall to the Ross wall sleeve attached to the base of the building, and fix the pole to the wall fastenings.
7. Seal the gap between the pole and the Wall sleeve with urethane and finalise the joint with filler putty.



Ross ventilation poles



Ross 125



Ross 160



Ross 200

Ross wall sleeve



Three models: 125, 160 ja 200

Ross renovation sets



Ross 125



Ross 160

Package

The Ross ventilation pole set includes a cowl, a vertical pipe, wall fastenings with screws, an angle pipe, the Ross wall sleeve centring rings and detailed installation instructions.

Package dimensions:

- 125: 180 x 485 x 595 mm
- 160: 395 x 595 x 345 mm
- 200: 260 x 500 x 1200 mm

Material

The Ross ventilation pole, like all other VILPE® products, is made of tinted, recyclable, corrosion-, weather- and impact-proof polypropylene (PP) plastic, complete with UV protection. The material is chemically neutral and can be used in continuous temperatures of -30°C - +80°C and temporarily in temperatures of -40°C - +120°C.

Basic colours

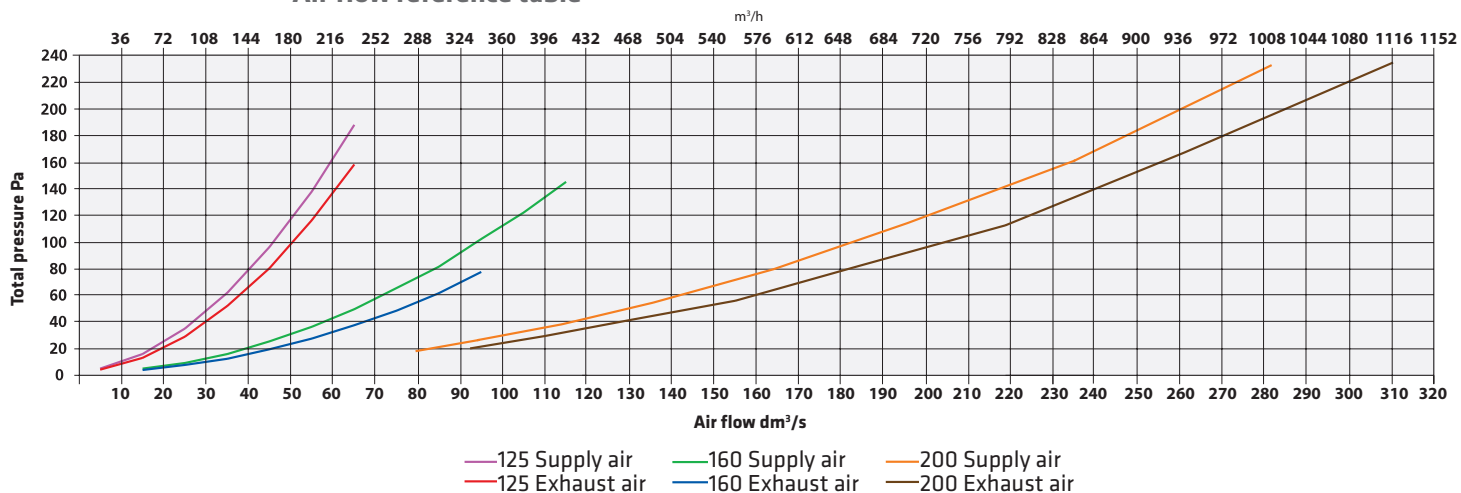
-  light grey - reference colour RAL 7040
-  black - reference colour RAL 9017
-  grey - reference colour RAL 7015
-  red - reference colour RAL 3009
-  off-white - reference colour RAL 9016
-  beige - reference colour RAL 1001



Technical data

The design of the underfloor ventilation must take into account the shape and location of the building as well as any obstacles to the air flow. Part C2 of the National Building Code of Finland contains additional information of the combined minimum size of ventilation openings.

VILPE® Ross ventilation pole Air flow reference table

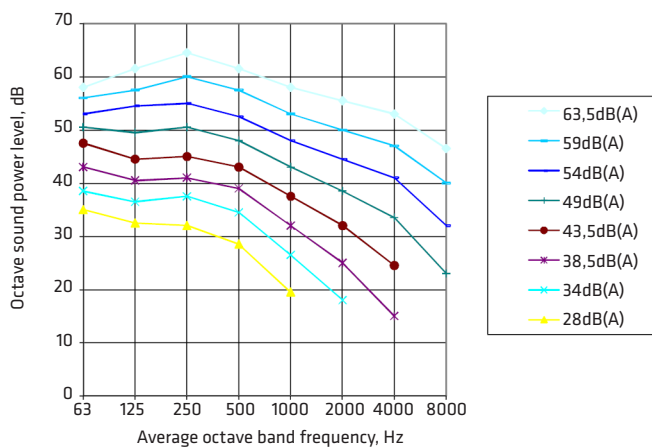


Acoustic properties of the Ross 200 ventilation pole

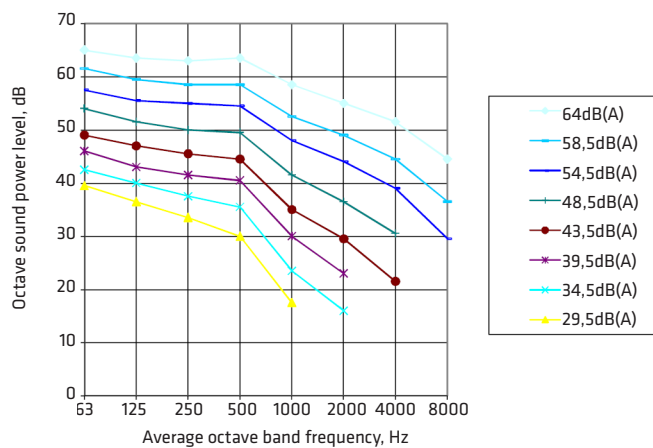
EN 12239:2001

ISO 5135:1997

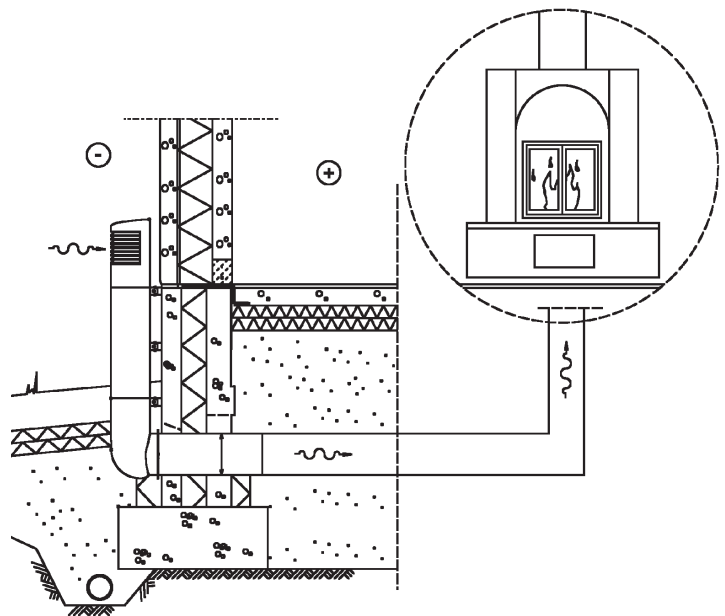
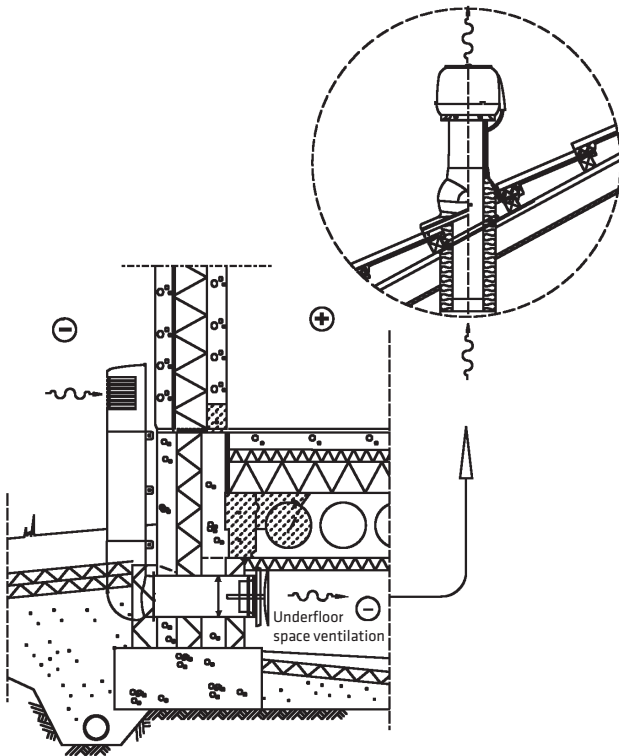
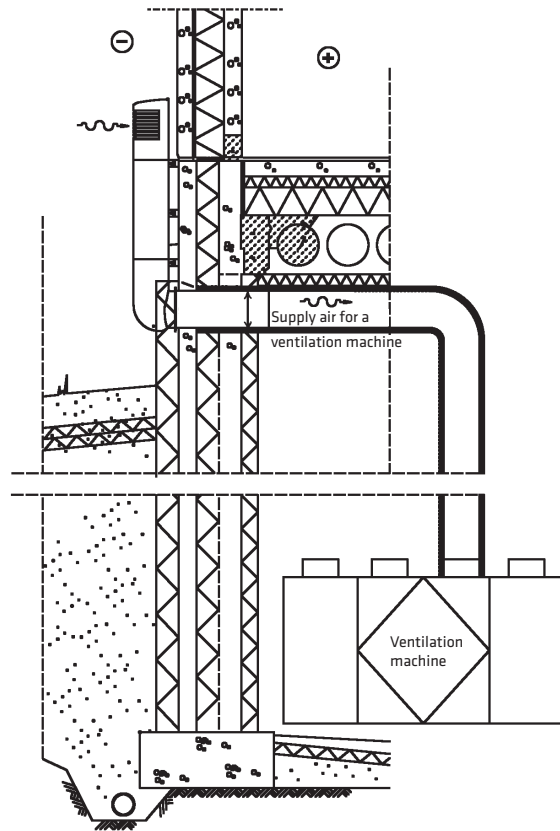
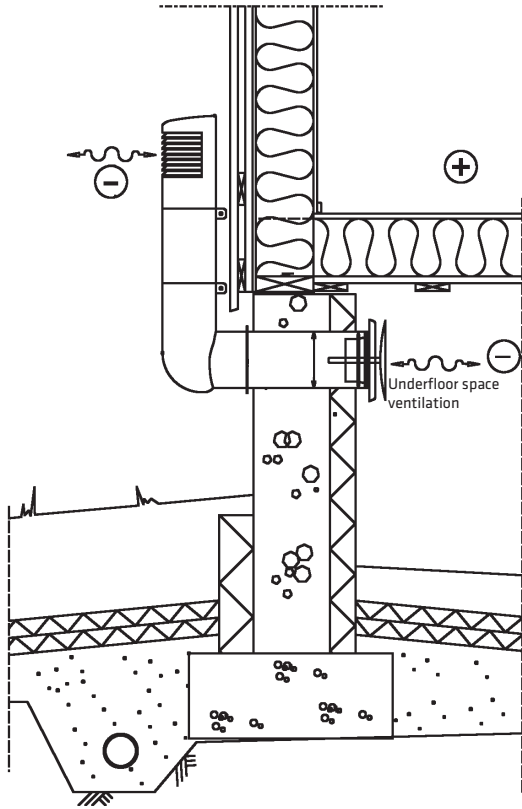
Supply flow:



Exhaust flow:

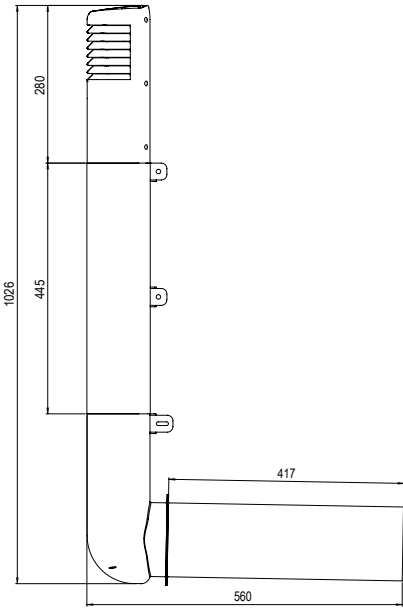


Applications

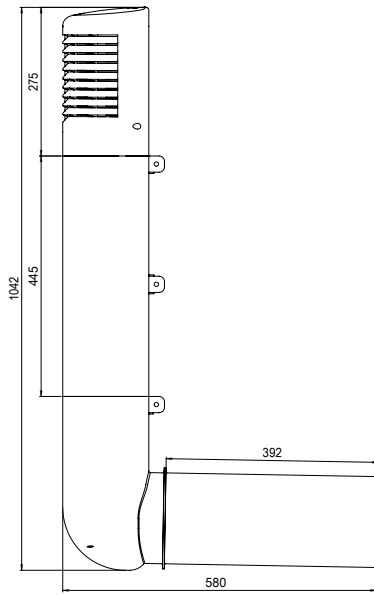


Dimensions

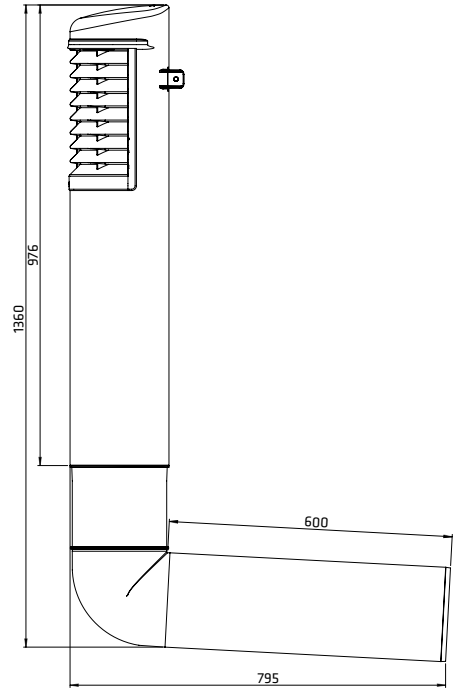
Ross ventilation poles



125

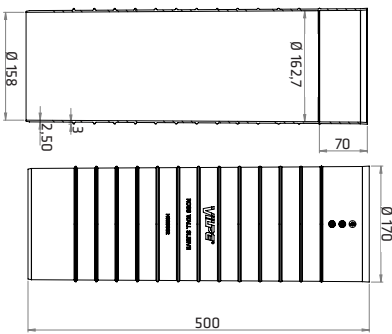


160

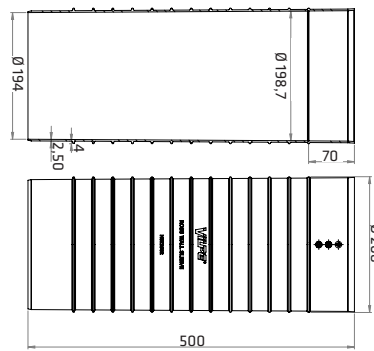


200

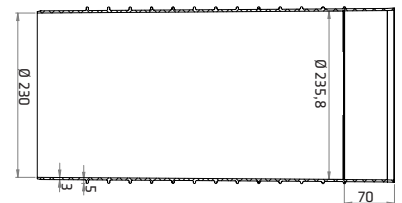
Ross wall sleeves



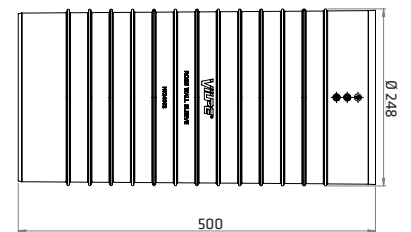
125



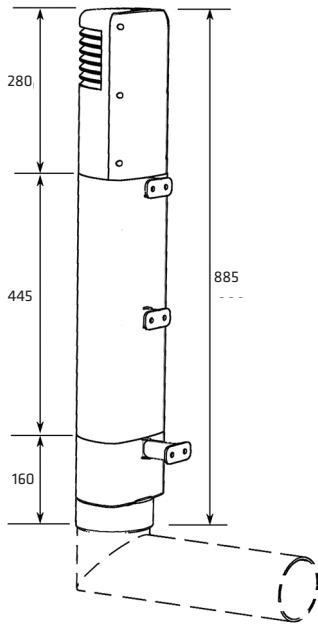
160



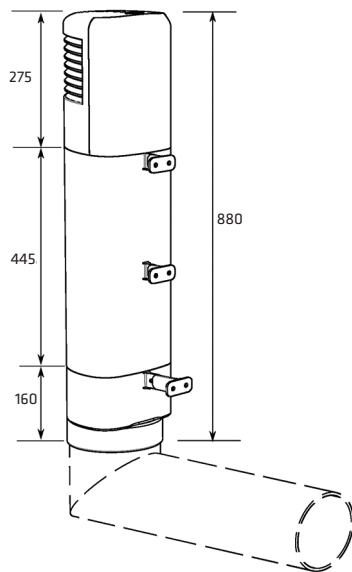
200



Ross renovation sets



125



160





SK Tuote Oy

Founded in 1975, SK Tuote Oy is the leading company developing and manufacturing ventilation equipment and speciality roof products in Finland, the Baltic countries, Russia and the Nordic countries. SK Tuote is a reliable, stable and a determined partner. Its products are known for the VILPE® brand.

VILPE® products improve the quality of housing and living, ensure fresh indoor air, reduce health risks and prolong the lifespan of the structure. VILPE® products are innovative and high-quality as well as responsibly designed, manufactured and certified solutions.

Continual improvement of our operations and products is central to SK Tuote; after all, it means safety and long-lasting comfort for end users. VILPE® is a brand of safe building and living.

Quality and the Environment

SK Tuote Oy is most devoted on the quality of company products as well as its operations. The management system of SK Tuote has been granted both the ISO 9001:2008 quality certificate and the ISO 14001:2004 environmental certificate. These certifications cover the product development, manufacturing and sales of VILPE® products.

The primary objective of the quality system of SK Tuote Oy is to provide quality fulfilling our customers' needs. Environmental objectives include developing energy-efficient products and production methods, decreasing the amount of waste and increasing recyclability of plastic materials in the entire product lifespan.

